

NetSpective WebFilter™

Quick Start Guide



Copyright © 2002-2016 by TeleMate.Net Software, LLC. All rights reserved

Although the author and publisher have made every effort to ensure that the information in this document was correct at press time, the author and publisher do not assume and hereby disclaim any liability to any party for any loss, damage, or disruption caused by errors or omissions, whether such errors or omissions result from negligence, accident, or any other cause.

Printed in the United States of America

TeleMate.Net Software
5555 Triangle Parkway
Suite 150
Norcross, Georgia 30092

www.TeleMate.Net

Contents

Contacting NetSpective Support.....	1
Getting Started.....	1
Network Deployment Strategies.....	1
Inline Configuration	1
Proxy Configuration	1
Passive Configuration.....	2
Figure 1: Inline Configuration	2
Figure 2: Proxy Configuration	3
Figure 3: Passive Configuration.....	3
Figure 4: 10Gbps Configuration	4
Deploying the Appliance	4
Network Configuration Settings.....	5
Licensing the Device.....	5
Network Diagnostics	6
Reset to Factory Defaults.....	6
NetSpective Web Administration	7



Contacting NetSpective Support

Thank you for choosing NetSpective as your Internet Content Filtering Solution. If you have any questions or need technical assistance with your NetSpective setup, please contact our helpdesk at 678-589-7120 or by email at netspectivesupport@telemate.net.

Getting Started

In order to perform the initial configuration of NetSpective, you will need:

- A monitor and keyboard.
- Licensing data from TeleMate.Net Software (license key, licensing server, and licensing password). This information is sent to the purchaser of NetSpective and can also be obtained by contacting NetSpective Support at 678-589-7120 or by email at netspectivesupport@telemate.net.
- An Internet connection, allowing FTP downloads from public servers.

NetSpective is a rack-mounted appliance. You will need to perform the initial steps of your configuration in a place where you will have easy access to the back of the device. Therefore, we suggest that you move the device to a rack only after performing the initial configuration steps. Once you successfully perform the steps listed in this manual, you are ready to access the Web-based administrative interface over your network.

Network Deployment Strategies

There are three possible network deployment strategies: Inline, Mobile Proxy, and Passive (also referred to as side-scan). Each deployment strategy is a licensable option.

Inline Configuration

The Inline solution can be deployed as “Fail Open” to maintain internet connectivity in the event of hardware failure. The solution may also be deployed as “Fail Closed” which will sever the flow of traffic in the event of hardware failure. With either deployment model, the administrative network interface labeled “ETH 0 – Administration” must be connected to an available switch port and must be routable to all end users. You may then choose to use “ETH 2 and 3 Fail OPEN” or “ETH 4 and 5 Fail CLOSED” for your uplink and downlink respectively, as shown in Figure 1.

The 15Hi can be deployed for 1 Gbps or 10 Gbps networks (Figure 4). When deploying as a Fiber Optic Inline solution, the configuration can be changed from Fail CLOSED to Fail OPEN from within the Administration Web Interface.

Proxy Configuration

To properly control internet traffic in a proxy configuration both “ETH 0 - Administrative / Internal” and “ETH 1 - External” should be plugged into the upstream switch inside the firewall as shown in Figure 2.



Passive Configuration

The easiest method is to use a switch with mirroring or SPAN capabilities. This feature can be found in Cisco Catalyst series switches, as well as most economical and readily available switches. If you would like to use a switch along with your NetSpective, you must configure the switch so that traffic bound for your gateway/firewall or proxy can be monitored and intercepted by NetSpective.

Using a switch that automatically routes Internet traffic to the gateway/firewall or proxy server from the internal network, you will need to “mirror” the port that is being used for the internet traffic. The administrative network interface labeled “ETH 0 - Administration” should be connected to an available switch port and the mirrored port used for monitoring should be connected to the NetSpective interface labeled “ETH 1 - Monitor” as shown in Figure 3.

Connecting the Monitoring NIC to the network is not required for licensing your NetSpective appliance. However, you will need to connect the Administrative NIC to your network for this purpose. You will not be able to access the Web-based administration interface without first licensing NetSpective.

Figure 1: Inline Configuration

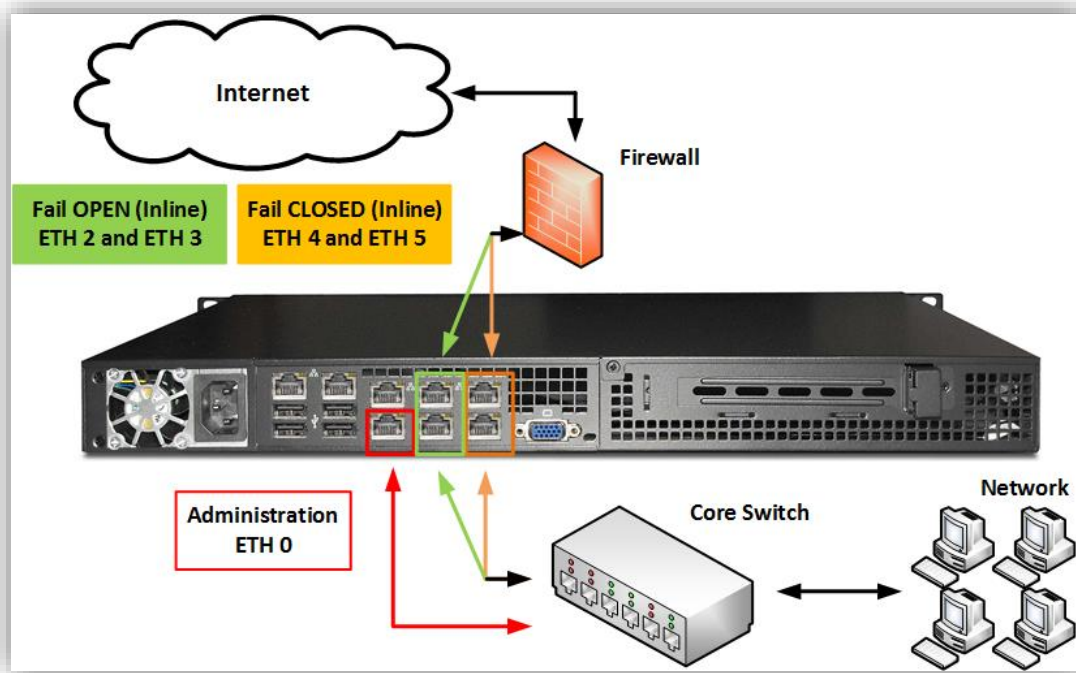




Figure 2: Proxy Configuration

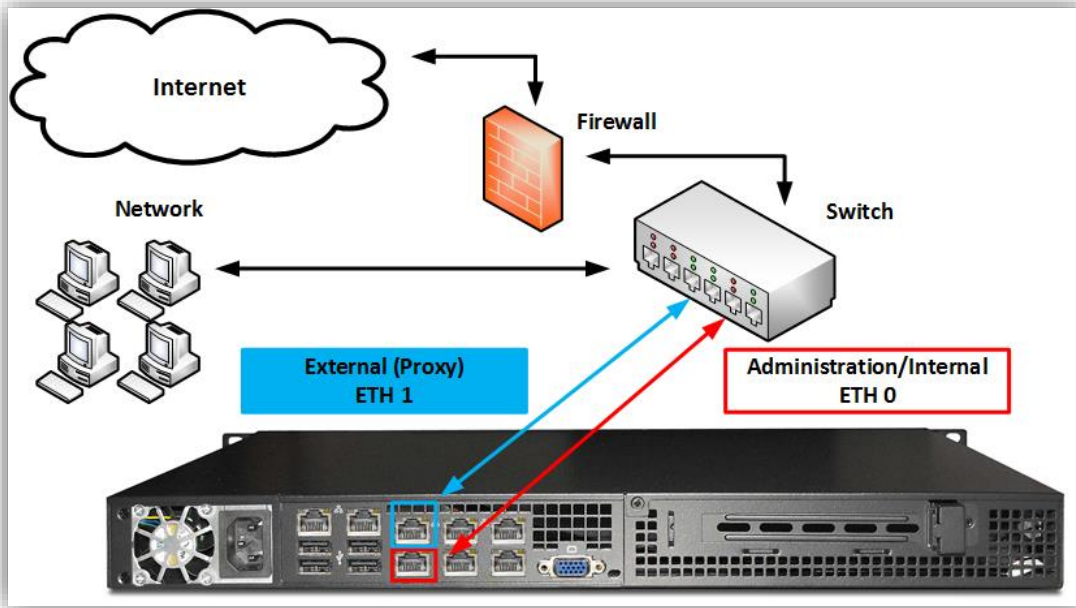


Figure 3: Passive Configuration

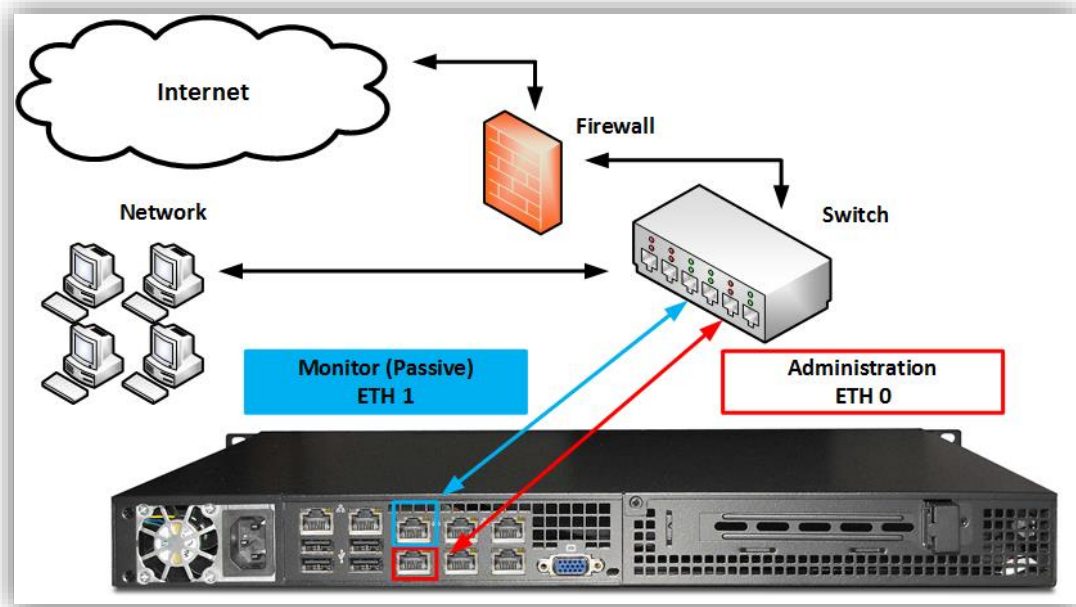
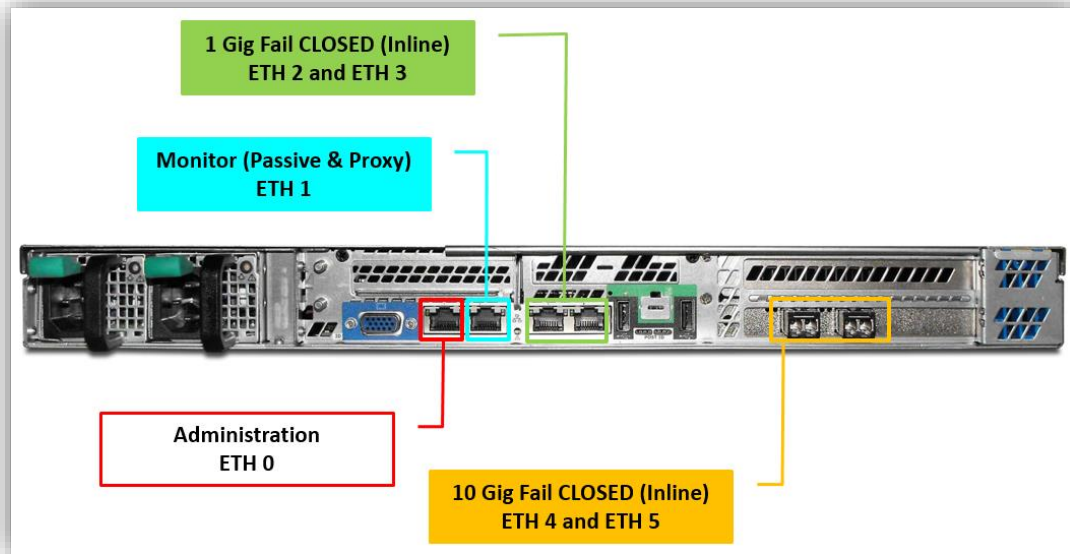




Figure 4: 10Gbps Configuration



Deploying the Appliance

1. Unpack NetSpective and connect the monitor to the video graphics adapter on the back plate of NetSpective.
2. Connect the keyboard to the interface on the back plate.
3. Connect the power cables of both NetSpective and the monitor, then power them up. The power switch is located on the front of the device. Additional information can be found in the **NetSpective Hardware Installation Guide**.

After NetSpective boots up, a login prompt will appear. Type **'admin'** and press enter. When the device prompts you for a password, enter **'webfilter'**. You will be able to change the password later from the Web-based administrative interface. When the login process is complete, you will see a text-based administrative console menu:

```
[[ WebFilter :: Main Menu ]]
```

- (1) Configure Networking
- (2) License Device
- (3) Network Diagnostics
- (4) Reset to Factory Default Settings
- (5) Reboot / Shutdown
- (0) Exit



Network Configuration Settings

From the Main menu, type '1' and press enter to access the **Configure Networking** menu. Your current (default) network settings are displayed (see figure). Note that your network card link status is displayed for both the Monitoring NIC and the Administrative NIC.

```
[[ WebFilter :: Network Configuration ]]
```

```
Current Settings:
```

```
IP Address: 192.168.7.247
```

```
Net Mask 255.255.240.0
```

```
Gateway: 192.168.2.8
```

```
Administrative NIC: UP
```

```
Monitoring NIC: UP
```

```
(1) Change Settings
```

```
(0) Exit
```

```
Enter Selection
```

Type '1' and press enter to change the settings:

1. Type in a new IP address for NetSpective; press enter to continue.
2. Type in the appropriate Netmask of NetSpective; press enter to continue.
3. Type in the IP address of the network gateway; press enter to continue.
4. Finally, type 'Y' and press enter to accept the changes. Press enter to return to the menu. Review your settings and reconfigure if necessary. If the settings are acceptable, type '0' and press enter to return to the Main menu.

Installing 10Gbps Network Configuration: The network configuration page will list two monitoring NICs, one for the onboard gigabit NIC and one for the 10Gbps NIC. Simply select option 4 'Swap Monitoring NIC' to swap the active NIC to the 10Gbps NIC.

After configuring your network settings, please be sure to use the Shutdown option before you move the device or power off (option #5 from the Main Menu, described in this document)

Please confirm that the Administrative NIC is connected to your network and is in the "up" link status mode.

Licensing the Device

To complete the licensing process you should have received the following licensing data from TeleMate.Net. If you do not have this information, please contact us at 678-589-7120 or by email at netspectivesupport@telemate.net for assistance.



- NetSpective Licensing key and password
 - IP address of a NetSpective Licensing Server
1. From the Main menu type '2' and press enter to access the **Licensing** Menu. Once there, type 1 and press enter to license your NetSpective.
 2. Type in the name or IP address of the licensing server. Press enter to continue.
 3. Type in the license key (20 characters plus dashes) and press enter. Please be sure to type all characters exactly as given to you by TeleMate.Net.
 4. Type in the licensing password and press enter to continue.

NetSpective will now connect to the licensing server to activate your license. This will be followed by the startup of additional services on the system. Once this process is complete, press enter to return to the Licensing menu. Review your licensing information (licensing key, number of users, license level, and subscription start and end dates). Type '0' and press enter to return to the Main menu.

Network Diagnostics

If NetSpective licensing fails, please check your network settings (Main menu, 2), or test the connection to the licensing server using the Network Diagnostic menu. If the problem persists, please contact NetSpective Support at 678-589-7120.

From the Main menu, type '3' and press enter to access the Network Diagnostics menu. This option should be used to diagnose any network connectivity issues. For further assistance, contact your system administrator. You may type '0' and press enter to return to the Main menu at any time.

1. To ping a host, type '1' and press enter. Type in the IP address of the host to ping and press enter. You should see at least 3 packets being sent. If ping fails, check your connections, firewall rules, or any NetSpective setting, which could prevent a successful ping. Once ping finishes, you will be taken to the Main menu.
2. To display the route to a host via traceroute, type '2' and press enter. Type in the IP address of the host to trace. If traceroute fails, check your connections, firewall rules, or any NetSpective setting, which could prevent a successful connection. If traceroute succeeds and you are still having problems, make sure to check your firewall to ensure you have FTP access to public servers. Once traceroute finishes, you will return to the Main menu.

Reset to Factory Defaults

On the Main menu, type '4' and press enter to access the Reset to Factory Default Settings menu. Type '1' and press enter to reset NetSpective to its original configuration. A prompt will ask for your confirmation before proceeding. To continue with the reset, type 'Y' and press enter.

Important Note: If you reset the device, you will lose all of your configuration settings, including the blocking policies configured via the web browser interface.



Reboot/Shutdown

From the Main menu, type '5' and press enter to access the Reboot/Shutdown option.

1. To reboot, type '1' and press enter. At the confirmation prompt, type 'Y' and press enter to reboot.
2. To shutdown, type '2' and press enter. At the confirmation prompt, type 'Y' and press enter to shut down your NetSpective.

NetSpective Web Administration

Now that you've successfully configured and licensed your NetSpective appliance, you can access the Web-based Administration interface. From any Web browser on your network, type in the IP address you assigned from the Network Configuration step in your Web browser's Address bar. For example, if you assigned 192.168.2.247 as the IP address for NetSpective, you would type <http://192.168.2.247> in your Web browser's address bar. A dialog box will appear prompting you to enter your user name and password. The default user name is 'admin' and the default password is 'webfilter'. You can change the default administrative password from the 'Managers' tab in the NetSpective Web interface.

From any of the areas you see in the product, clicking on the 'Help' or '?' icon will take you to the help section. When a new tab opens, you will see the help section that refers to the area of the product you are in. The help section will give you a description of each section of the product. At the beginning of the help section you will find setup instructions for setting up the appliance. The User Guide can also be downloaded from our website at http://www.getnetspective.com/products/netspective/pdf/NetSpective_User_Guide.pdf along with Training Videos which can be viewed at <http://www.getnetspective.com/products/netspective/videos.php> outlining the features of the product.



5555 Triangle Parkway Suite 150

Norcross, GA 30092

(Tel) 678-589-7100

(Fax) 678-589-7110

www.telemate.net



P/N: 509-3583-01



REV: 0C

Copyright© 2016 TeleMate.Net Software. All Rights